

THE POWER TO GO ANYWHERE...

RT8

*POWERTRAXX* 

## DIMENSIONS

Weight (basic vehicle)	12,246 kg [27,000 lbs]
Overall Length (includes extensions)	6,578 mm [259 in]
Overall Width	2,590 mm [102 in]
Overall Height	3,175mm [125 in]
Ground Clearance	431 mm [17 in]

## OPERATOR CABIN

Enclosed ROPS, ISO 3471	Escape Hatch above seat
Single occupancy	Seat belt
44,000 BTU heater with defrosters	Air Conditioning
Front/rear heavy duty wet blade wiper	Door window, sliding type
Hi-backrest, adjustable suspension seat	"Operator Presence" sensor in seat

## CHASSIS

Heavy duty welded tub	Front and rear extensions
Drain holes/plugs	Access panels (Qty. 4)

## CAPACITIES

Fuel Tank	250 L [66 US Gal]
Hydrostatic Tank	170 L [45 US Gal]
Cooling System	204 L/min [53 US Gal]

## SUSPENSION

Solid steel walking beam	Heavy duty arched type
Track roller guides	20" steel roller wheels
Solid steel hubs, oil filled	Urethane hubcaps with sight glass

## TRACKS

800 mm [32 in] continuous rubber track	Auto-tensioning system
Drive sprocket, 4 segments	Idler wheel

## CONTROLS

Microprocessor with LCD colour display	Steering parameters / Diagnostics
Electronic Joystick with counter rotate	Hand throttle, foot pedal

## ELECTRICAL SYSTEM

12V DC	160 Amp alternator
Batteries (Qty. 3)	200 AH, 1125 CCA (each)

## PERFORMANCE

Payload	9,072 kg [20,000 lbs]
Maximum Speed	16 km/hr [10 mph]
Fording Depth	1,219 mm [48 in]
Turning Radius	Zero degrees
Ground Pressure (6in penetration)	
Unloaded	0.149 kg/cm <sup>2</sup> [2.13 psi]
Loaded	0.315 kg/cm <sup>2</sup> [4.49 psi]

Maximum Gradeability	
Forward/downhill	60% [31°]
Sidehill	40% [22°]

## ENGINE

Cummins QSB 6.7L, 6 cyl	Turbo diesel, EPA Stage V
Horsepower @ 2200 rpm	164 kW [230 hp]
Torque @ 1500 rpm	1,152 N-m [850 lb-ft]

## HYDRAULICS

Stiebel pump drive (triple pad)	Device pump provision on top pad
Sauer Danfoss H1B pumps	Sauer Danfoss H1B motors
Auburn Gear Power Wheel drives	

## STANDARD EQUIPMENT

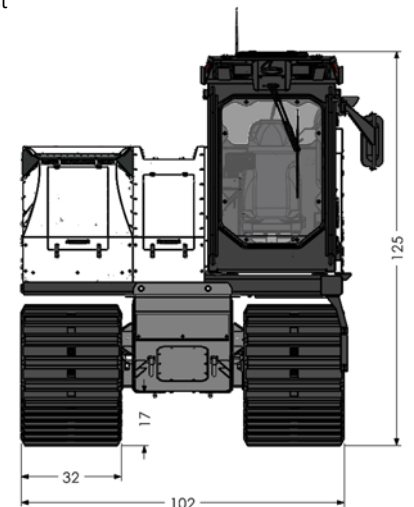
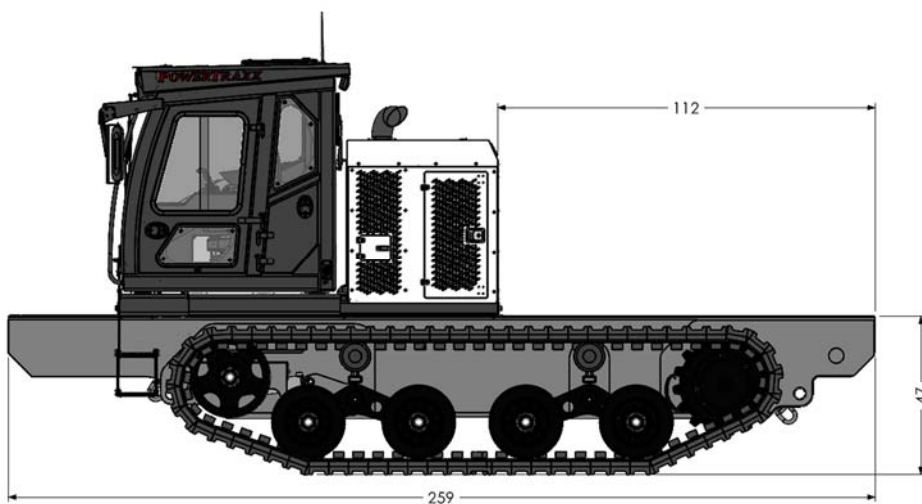
AM/FM stereo w/ speakers	44,000 BTU heater with defrosters
12V dash power-point, USB port	2 Forward lights, 2 Rear lights
Block heater	Central greasing bank
Fire extinguisher	Operators/Parts manuals
Webasto heater w/timer	Hydraulic tank warmer
Back-up camera system w/ LCD colour display	Electronic inclinometer

## TOUCH SCREEN DISPLAY/INSTRUMENTS

Hydrostatic oil temperature	Voltmeter
Engine oil pressure	Engine temperature
Fuel level	Tachometer
Warning lights	Buzzers (optional)
High/Low speed selector	High/Low idle switch

## OPTIONAL EQUIPMENT

Hydraulic winch package	Beacon / Searchlight
Window guard	Brush guard
Side-view camera	Pintle hitch
Maintenance kit	Blade/plow kit
Other items available upon request	



PowerTraxx Vehicles Inc.

