

THE POWER TO GO ANYWHERE...

RT15

POWERTRAXX 

DIMENSIONS

Weight (basic vehicle)	18,144 kg [40,000 lbs]
Overall Length (includes extensions)	8,280 mm [326 in]
Overall Width	3,175 mm [125 in]
Overall Height	3,276 mm [129 in]
Ground Clearance	508 mm [20 in]

OPERATOR CABIN

Enclosed ROPS, ISO 3471	Sunroof / Hatch above seat
Single occupancy	Seat belt
44,000 BTU heater with defrosters	Air Conditioning
Front heavy duty wet blade wiper	Rear wiper available
Hi-backrest, adjustable suspension seat	"Operator Presence" sensor in seat

CHASSIS

Heavy duty welded tub	Front and rear extensions
Drain holes/plugs	Access panels (Qty. 4)

CAPACITIES

Fuel Tank	380 L [100 US Gal]
Hydrostatic Tank	208 L [55 US Gal]
Cooling System	204 L/min [53 US Gal]

SUSPENSION

Solid steel walking beam	Heavy duty arched type
28 in. steel load wheels (Qty. 8)	Track roller guides
Solid steel hubs, oil filled	Urethane hubcaps with sight glass

TRACKS

900 mm [35.5 in], continuous rubber track	Tensioner Cylinder, Automatic
Steel cast drive sprocket, 4 segments	Steel cast idler wheel

CONTROLS

Microprocessor with LCD colour display	Steering parameters / Diagnostics
Electronic Joystick with counter rotate	Hand throttle, foot pedal
Back-up camera system w/ LCD colour display	Electronic inclinometer

ELECTRICAL SYSTEM

12V DC	160 Amp alternator
Batteries (Qty. 3)	200 AH, 1125 CCA (each)

PERFORMANCE

Payload	16,330 kg [40,000 lbs]
Maximum Speed	13 km/hr [8 mph]
Fording Depth	1,524 mm [60 in]
Turning Radius	Zero degrees
Ground Pressure (6in penetration)	
Unloaded	0.217 kg/cm ² [3.10 psi]
Loaded	0.418 kg/cm ² [5.95 psi]

Maximum Gradeability

Forward/downhill	60% [31°]
Sidehill	40% [22°]

ENGINE

Cummins QSB 6.7L, 6 cyl	Turbo diesel, EPA Tier 4F
Horsepower @ 2500 rpm	205 kW [275 hp]
Torque @ 1400 rpm	990 N-m [730 lb-ft]

HYDRAULICS

Funk Pump drive (triple pad)	Additional pump provision on top pad
Sauer Danfoss 90 series pumps	Sauer Danfoss H1B motors
Auburn Gear Power Wheel drives	

STANDARD EQUIPMENT

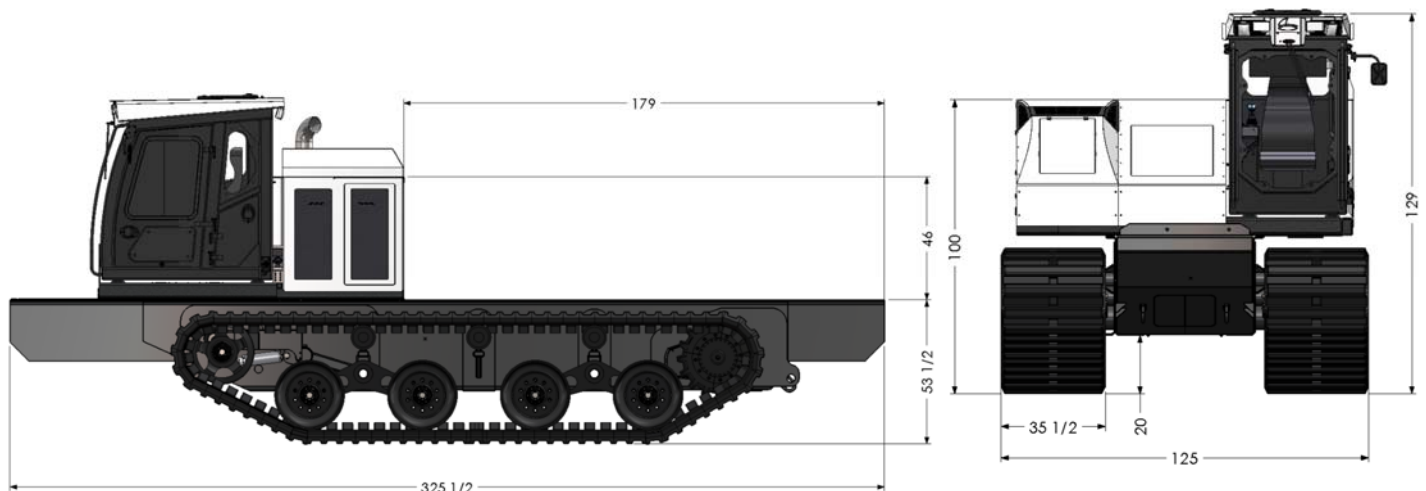
AM/FM stereo w/ speakers	44,000 BTU heater with defrosters
12V dash power-point, USB port	4 Forward lights, 2 Rear lights
Block heater, Oil pan heater	Central greasing bank
Fire extinguisher	2 Maintenance/Operators/Parts manuals

INSTRUMENTS

Hydrostatic oil temperature	Voltmeter
Engine oil pressure	Engine temperature
Fuel level	Tachometer
Warning lights	Buzzers (optional)
High/Low speed selector	High/Low idle switch

OPTIONAL EQUIPMENT

Espar / Webasto heater, on/off switch or timer	Hydraulic tank warmer
Front/rear hydraulic winch package	Beacon / Searchlight
Window guard	Brush guard
External mirrors	Pintle hitch
Maintenance kit	Blade/plow kit
Other items available upon request	



PowerTraxx Vehicles Inc.

