

THE POWER TO GO ANYWHERE...

PT10

POWERTRAXX 

DIMENSIONS

Weight (basic vehicle)	11,339 kg [25,000 lbs]
Overall Length (includes extensions)	7,417 mm [292 in]
Overall Width	2,591 mm [102 in]
Overall Height	3,073 mm [121 in]
Ground Clearance	457 mm [18 in]

OPERATOR CABIN

Enclosed ROPS, ISO 3471	Sunroof / Hatch above seat
Single occupancy	Seat belt
44,000 BTU heater with defrosters	Air Conditioning
Front heavy duty wet blade wiper	Rear wiper available
Hi-backrest, adjustable suspension seat	"Operator Presence" sensor in seat

CHASSIS

Heavy duty welded tub	Front and rear extensions
Drain holes/plugs	Access panels (Qty. 4)

CAPACITIES

Fuel Tank	303 L [80 US Gal]
Hydrostatic Tank	170 L [45 US Gal]
Cooling System	204 L/min [53 US Gal]

SUSPENSION

Solid steel walking beam	Heavy duty arched type
825 x 20 solid rubber tires (Qty. 8)	3-piece steel rims
Solid steel hubs, oil filled	Urethane hubcaps with sight glass

TRACKS

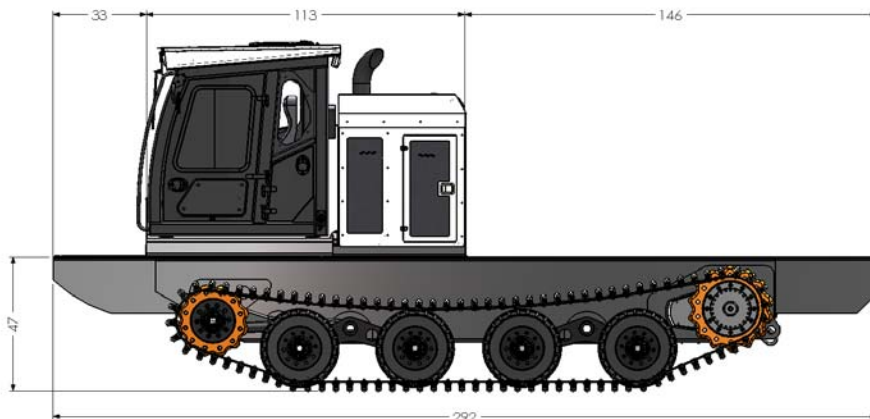
Heavy Duty steel D-dent grouser bar	838 mm [33 in] with Reinforcing Bar
305 mm [12 in], 6ply rubber belting	Tensioner Cylinder, grease type
Steel hub sprocket	12, 14 Tooth replaceable urethane segments

CONTROLS

Microprocessor with LCD colour display	Steering parameters / Diagnostics
Electronic Joystick with counter rotate	Hand throttle, foot pedal

ELECTRICAL SYSTEM

12V DC	160 Amp alternator
Batteries (Qty. 3)	200 AH, 1125 CCA (each)



PERFORMANCE

Payload	11,340 kg [25,000 lbs]
Maximum Speed	16 km/hr [10 mph]
Fording Depth	1,219 mm [48 in]
Turning Radius	Zero degrees
Ground Pressure (6in penetration)	
Unloaded	0.182 kg/cm ² [2.60 psi]
Loaded	0.332 kg/cm ² [4.73 psi]

Maximum Gradeability	
Forward/downhill	60% [31°]
Sidehill	40% [22°]

ENGINE

Cummins QSB 6.7L, 6 cyl	Turbo diesel, EPA Tier 4F
Horsepower @ 2200 rpm	164 kW [230 hp]
Torque @ 1500 rpm	1,044 N-m [770 lb-ft]

HYDRAULICS

FUNK pump drive (triple pad)	Additional pump provision on top pad
Sauer Danfoss 90 series pumps	Sauer Danfoss H1B motors
Fairfield Torque Hubs	

STANDARD EQUIPMENT

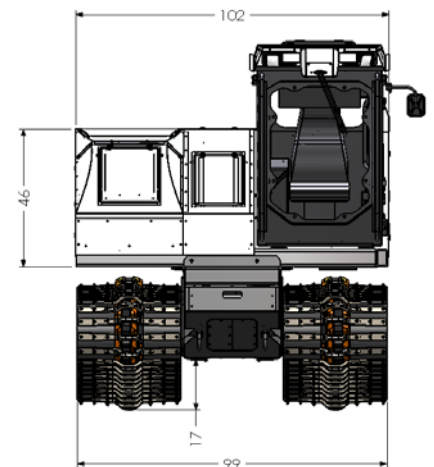
AM/FM stereo w/ speakers	44,000 BTU heater with defrosters
12V dash power-point, USB port	4 Forward lights, 2 Rear lights
Block heater, Oil pan heater	Central greasing bank
Fire extinguisher	2 Maintenance/Operators/Parts manuals

INSTRUMENTS

Hydrostatic oil temperature	Voltmeter
Engine oil pressure	Engine temperature
Fuel level	Tachometer
Warning lights	Buzzers (optional)
High/Low speed selector	High/Low idle switch

OPTIONAL EQUIPMENT

Espar / Webasto heater with timer	Hydraulic tank warmer
Front/rear hydraulic winch package	Beacon / Searchlight
Window guard	Brush guard
Back-up camera system w/ LCD colour display	External mirrors
Electronic inclinometer with alarm	Pintle hitch
Maintenance kit	Blade/plow kit
Other items available upon request	



PowerTraxx Vehicles Inc.

