

THE POWER TO GO ANYWHERE...



# RT8

**POWERTRAXX**   
VEHICLES INC.

**DIMENSIONS**

Weight (basic vehicle)	10,886 kg [24,000 lbs]
Overall Length (includes extensions)	6,578 mm [259 in]
Overall Width	2,590 mm [102 in]
Overall Height	2,844 mm [112 in]
Ground Clearance	431 mm [17 in]

**OPERATOR CABIN**

Enclosed ROPS, ISO 3471	Sunroof / Hatch above seat
Single occupancy	2-Person, 5-person occupancy available
44,000 BTU heater with defrosters	Air Conditioning available
Front heavy duty wet blade wiper	Rear wiper available
Hi-backrest, adjustable suspension seat	"Operator Presence" sensor in seat

**CHASSIS**

Heavy duty welded tub	Front and rear extensions
Drain holes/plugs	Access panels (Qty. 4)

**CAPACITIES**

Fuel Tank	250 L [66 US Gal]
Hydrostatic Tank	151 L [40 US Gal]
Cooling System	23 L/min [7 US Gal]

**SUSPENSION**

Solid steel walking beam	Heavy duty arched type
Track roller guides	20" steel roller wheels
Solid steel hubs, oil filled	Urethane hubcaps with sight glass

**TRACKS**

800 mm [31.5 in] continuous rubber track	Tensioner Cylinder, grease type
Steel drive sprocket, 4 segments	Solid steel idler wheel

**CONTROLS**

Microprocessor with LCD colour display	Steering parameters / Diagnostics
Electronic Joystick with counter rotate	Hand throttle, foot pedal

**ELECTRICAL SYSTEM**

12V DC	160 Amp alternator
Batteries (Qty. 3)	200 AH, 1125 CCA (each)

**PERFORMANCE**

Payload	9,072 kg [20,000 lbs]
Maximum Speed	16 km/hr [10 mph]
Fording Depth	1,219 mm [48 in]
Turning Radius	Zero degrees
Ground Pressure (6in penetration)	
Unloaded	0.199 kg/cm <sup>2</sup> [2.84 psi]
Loaded	0.3658kg/cm <sup>2</sup> [5.10 psi]

**Maximum Gradeability**

Forward/downhill	60% [31°]
Sidehill	40% [22°]

**ENGINE**

Cummins QSB 6.7L, 6 cyl	Turbo diesel, EPA Tier 3
Horsepower @ 2200 rpm	164 kW [230 hp]
Torque @ 1400 rpm	949 N-m [700 lb-ft]

**HYDRAULICS**

Funk Pump drive (triple pad)	Additional pump provision on top pad
Sauer Danfoss 90 series pumps	Sauer Danfoss H1B motors
Fairfield Torque Hubs	

**STANDARD EQUIPMENT**

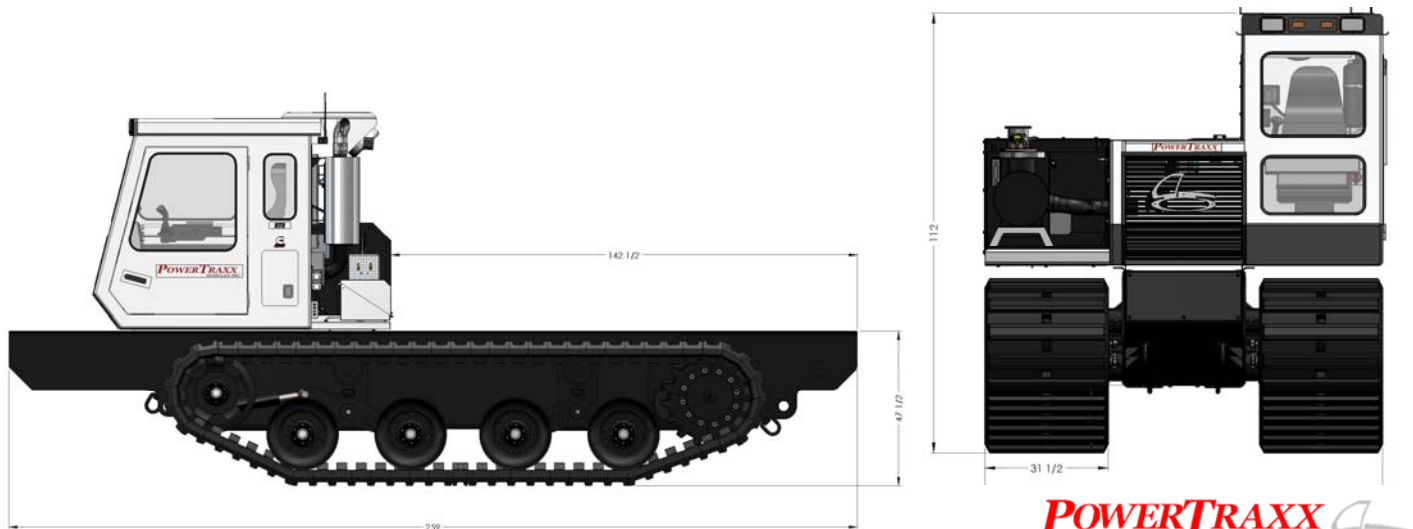
AM/FM stereo w/ speakers	44,000 BTU heater with defrosters
12V dash power-point, USB port	2 Forward lights, 2 Rear lights
Block heater, Oil pan heater	Central greasing bank
Fire extinguisher	2 Maintenance/Operators/Parts manuals

**INSTRUMENTS**

Hydrostatic oil temperature	Voltmeter
Engine oil pressure	Engine temperature
Fuel level	Tachometer
Warning lights	Buzzers (optional)
High/Low speed selector	High/Low idle switch

**OPTIONAL EQUIPMENT**

Espar / Webasto heater with timer	Hydraulic tank warmer
Front/rear hydraulic winch package	Beacon / Searchlight
Window guard	Brush guard
Back-up camera system w/ LCD colour display	External mirrors
Electronic inclinometer with alarm	Pintle hitch
Maintenance kit	Blade/plow kit
Other items available upon request	



PowerTraxx Vehicles Inc.

